

## WELCOME!

Thank you for purchasing our KLH Faraday F-6600-AW all-weather speakers. We have constructed these speakers with the finest quality materials to provide many years of outstanding performance.

## FOR YOUR SAFETY

Important Safety Instructions!

1. READ these instructions.
2. KEEP these instructions.
3. HEED all warnings.
4. FOLLOW all instructions.
5. DO NOT use this apparatus near water.
6. CLEAN ONLY with dry cloth.
7. DO NOT block any ventilation openings. Install in accordance with the manufacturer's instructions.
8. Do not install near any heat sources such as radiators, heat registers, stoves, or other heat producing appliances
9. ONLY USE attachments/accessories specified by the manufacturer.
10. DO NOT expose to excess moisture or liquids, and do not place containers with liquids on top of speakers.



The exclamation point, within an equilateral triangle, is intended to alert the user to the presence of important operating and maintenance (servicing) instructions in the literature accompanying the product.



The lightning flash with arrowhead symbol within an equilateral triangle, is intended to alert the user to the presence of uninsulated "dangerous voltage" within the product's enclosure that may be of sufficient magnitude to constitute a risk of electrical shock to persons.

	<b>CAUTION</b> RISK OF ELECTRIC SHOCK. DO NOT OPEN.	
WARNING: Do Not Open! Risk of Electrical Shock. Voltages in this equipment are hazardous to life. No user-serviceable parts inside. Refer all servicing to qualified service personnel.		

**EU COMPLIANCE INFORMATION:**  
Eligible to bear the CE mark, Conforms to European Union EMC Directive 2004/108/EC; European Union Restriction of Hazardous Substances Recast (RoHS2) Directive 2011/65/EC; European Union WEEE Directive 2002/96/EC.

## WEEE NOTICE

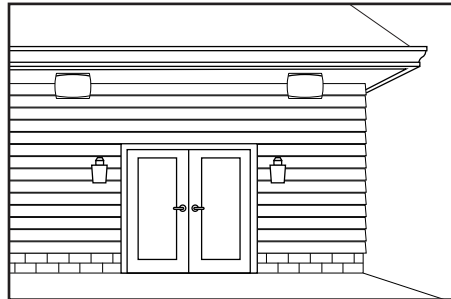
Note: This mark applies only to countries within the European Union (EU) and Norway.

This appliance is labeled in accordance with European Directive 2002/96/EC concerning waste electrical and electronic equipment (WEEE). This label indicates that this product should not be disposed of with household waste. It should be deposited at an appropriate facility to enable recovery and recycling.

## SPEAKER PLACEMENT

These outdoor speakers are designed to be mounted vertically or horizontally. The included mounting bracket(s) are for installation in outdoor locations which include gazebos, exterior walls, railings, decks and under building soffits. It is preferred that speakers be located out of direct sunlight or extreme weather exposure.

If you are mounting speakers for the purpose of stereo imaging, we recommend that speaker separation be 50-75% of the listening distance. Example: for a listening area of 15-20 feet away, the speakers should be 10-15 feet apart

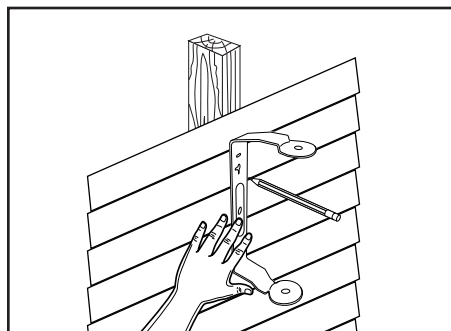


## INSTALLING YOUR SPEAKERS

Recommended tools and hardware:

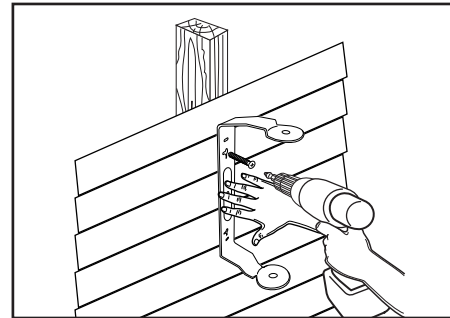
- (2) Mounting screws per speaker
- Screwdriver
- Stud Finder
- Speaker Wire
- Bubble Level

Make sure to locate a stud beneath the surface for installation of the "C" bracket. Mark the location through the adjustable keyholes. Pre-drill with a drill bit slightly smaller than the mounting screws to avoid splitting siding or stud. For brick or masonry, use a masonry drill bit and masonry/concrete fasteners, and be sure to follow directions.



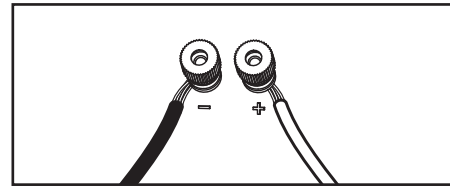
The mounting screws can be installed either with the "C" bracket in place, or by inserting the mounting screws to nearly flush with the surface, positioning the keyhole openings over the screws, then tightening.

The mounting screws can be installed either with the "C" bracket in place, or by inserting the mounting screws to nearly flush with the surface, positioning the keyhole openings over the screws, then tightening.



## CONNECTING YOUR SPEAKERS

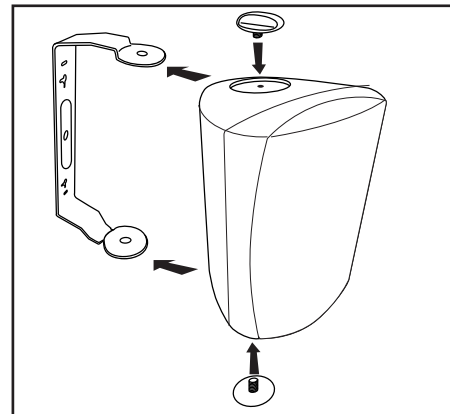
To connect your outdoor speakers, use the proper gauge wire (See below). Strip wire ends and attach to the back of the speaker as shown. If you are running new wires, carefully measure the distance between the amp and speaker, and allow for 2-3 feet of extra wire for play.



## RECOMMENDED WIRE GAUGE

- 0-15 Feet-16 Gauge
- 15-30 Feet-14 Gauge
- More than 30 Feet-12 Gauge

Once the speaker is attached to wires, slide onto "C" bracket, and use the threaded caps to secure the loudspeaker into place. Before tightening all the way, adjust the positioning of the speaker to your optimum listening preference.



## CARE AND CLEANING

These all weather speakers are made from durable materials and will provide years of listening for all of your outdoor applications. Outdoor locations are prone to dust, dirt and pollution, and your speakers may need periodic cleaning. A soft, damp cloth or gentle spray from a garden hose is acceptable, avoiding direct spray through grille into drivers.

Here are some placement choices we do not recommend in order to protect your speakers from harsh elements:

- If possible, do not place in direct sunlight.
- Do not use strong abrasives, cleaners or solvents when cleaning.
- Do not use a pressure washer to clean speaker.
- \* Do not allow speakers to come in contact with chemicals or garden sprinklers.
- Do not splash with pool water or water from a hot tub.

## AMPLIFICATION

Make sure that amplification matches the speakers' specified power handling. To avoid damage to speaker, turn down the volume if you notice distortion or static.

## WARRANTY

Warranty begins from purchase date of the item (invoice date).

For warranty/service issues, please contact your place of purchase.

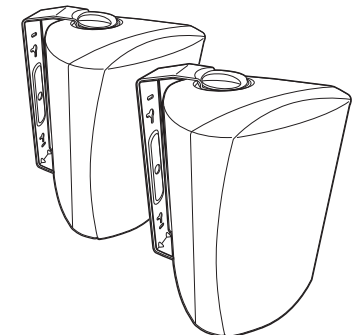
Please hold on to your original receipt.

The warranty covers any production and material defects of purchased product.

The following is NOT COVERED by the warranty:

1. Accidents, misuse, poor maintenance, electrical overloads such as lightning or voltage.
2. No DIY, must be installed by CEDIA-qualified installer. No abuse.
3. Incorrect installation of product.
4. Altered serial number.
5. Transportation costs for service call.

Replacement item cannot exceed the cost of the item under warranty. The supplier is responsible for only repair or replacement.



## LIMITED LIFETIME WARRANTY

This warranty is non-transferable, and only applies to the individual that made the original purchase.

For warranty/service issues, please contact your place of purchase.

Please hold on to your original receipt.

The warranty covers any production and material defects of purchased product.

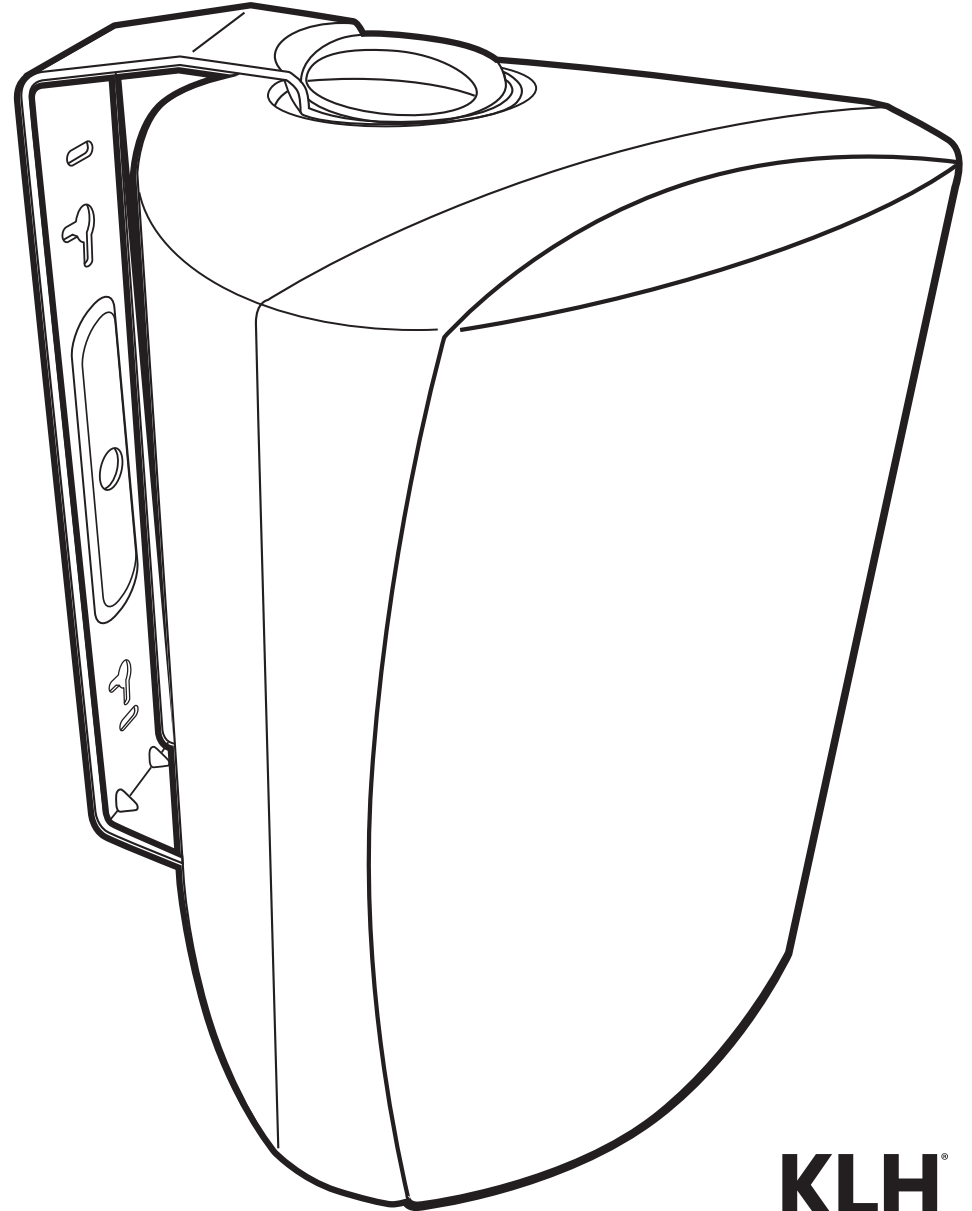
The following is NOT COVERED by the warranty:

1. Accidents, misuse, poor maintenance, electrical overloads such as lightning or voltage.
2. No DIY, must be installed by CEDIA-qualified installer. No abuse.
3. Incorrect installation of product.
4. Altered serial number.
5. Transportation costs for service call.

Replacement item cannot exceed the cost of the item under warranty. The supplier is responsible for only repair or replacement.

# FARADAY

## ALL-WEATHER SPEAKER MANUAL



**KLH**<sup>®</sup>  
LOVE YOUR MUSIC™

**KLH**<sup>®</sup>  
LOVE YOUR MUSIC™